

8 Inch Incandescent Look LED Road Traffic Signals

For years colour light signals have been equipped with ordinary light bulbs, meaning regular replacements of lamps and, more crucially, regular lamp-outs. The new generation LEDs of Transport System Solutions signals puts an end to these problems.

We produce LED signals for various railway applications. Our special cost-effective LED signal for light and medium rail applications is also suitable for the station area in heavy rail applications where short or mid-range lights are used.



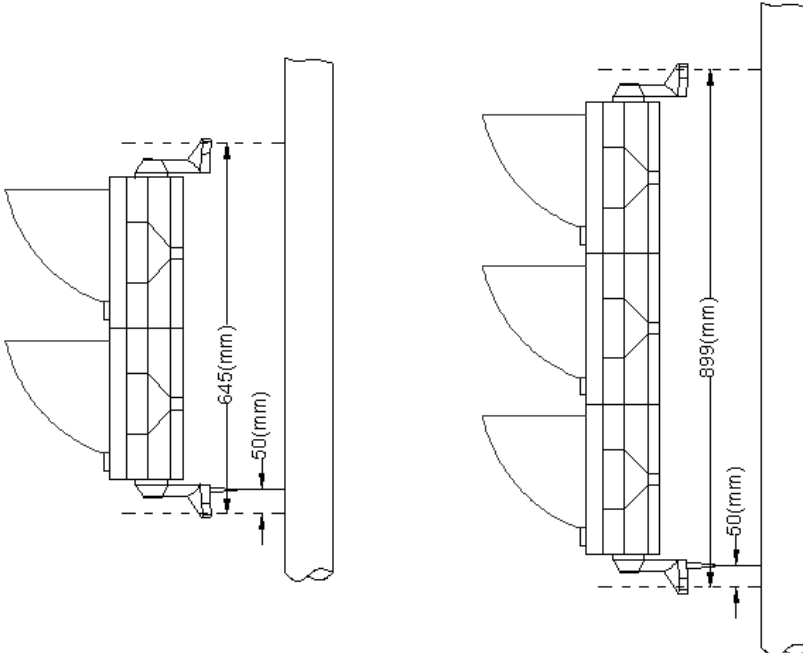
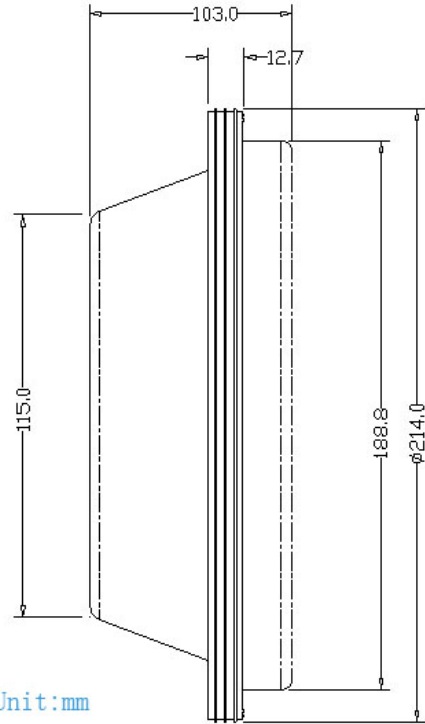
- Reduces overall operating and maintenance costs
- Consumes 90% less energy compared to incandescent lamp
- Highly reliable
- Improved visibility
- Reduces emergency lamp-outs
- Minimizes phantom aspect
- Easy to install into existing signal casing

Specifications

Dimensions	200 mm with cobweb lens
Total harmonic distortion	< 20%
Temperature range	-30°C to +60 °C
Operating voltage	12 V DC
Insulation resistance	>2 MΩ
Estimated lifespan	100,000 hours
Optical	High brightness LEDs with integrated optics, moisture- and dust-tight seal (IP65)



Nominal (day) light strength	Red, green: 400 cd Yellow: 500 cd
Power consumption	7W
Operating life	> 5 years
Voltage	100 to 277 V AC / 12 V DC / 24 V DC
LEDs	61 pieces
Typical wavelength	Red: 625 nm ± 5 nm Yellow: 690 nm ± 5 nm Green: 502 nm ± 2 nm



Would you like to know more about the services, products or projects of Transport System Solutions?

Please contact our Sales Department by sending an email to info@transport-ss.com or go to our website www.transport-ss.com.