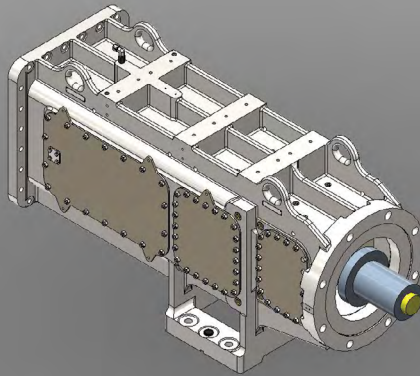
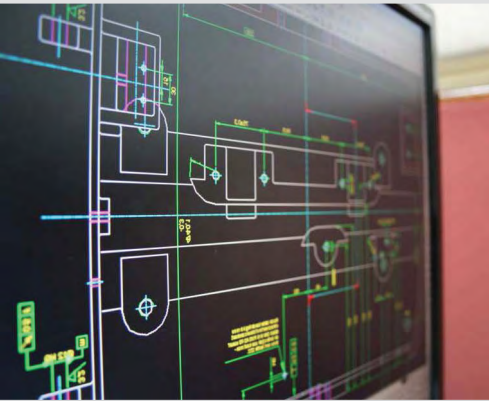


MECHANICAL ENGINEERING SERVICES



Besides providing mechanical design and drafting services in both 2D and 3D, we also engineer, supply and install the following products:

- **Point Machines including Rodding**
- **Point Locks and Detectors**
- **Colour Light Signals, LED and Incandescent**
- **Level Crossing Protection Systems**
- **Electronic Bells**

